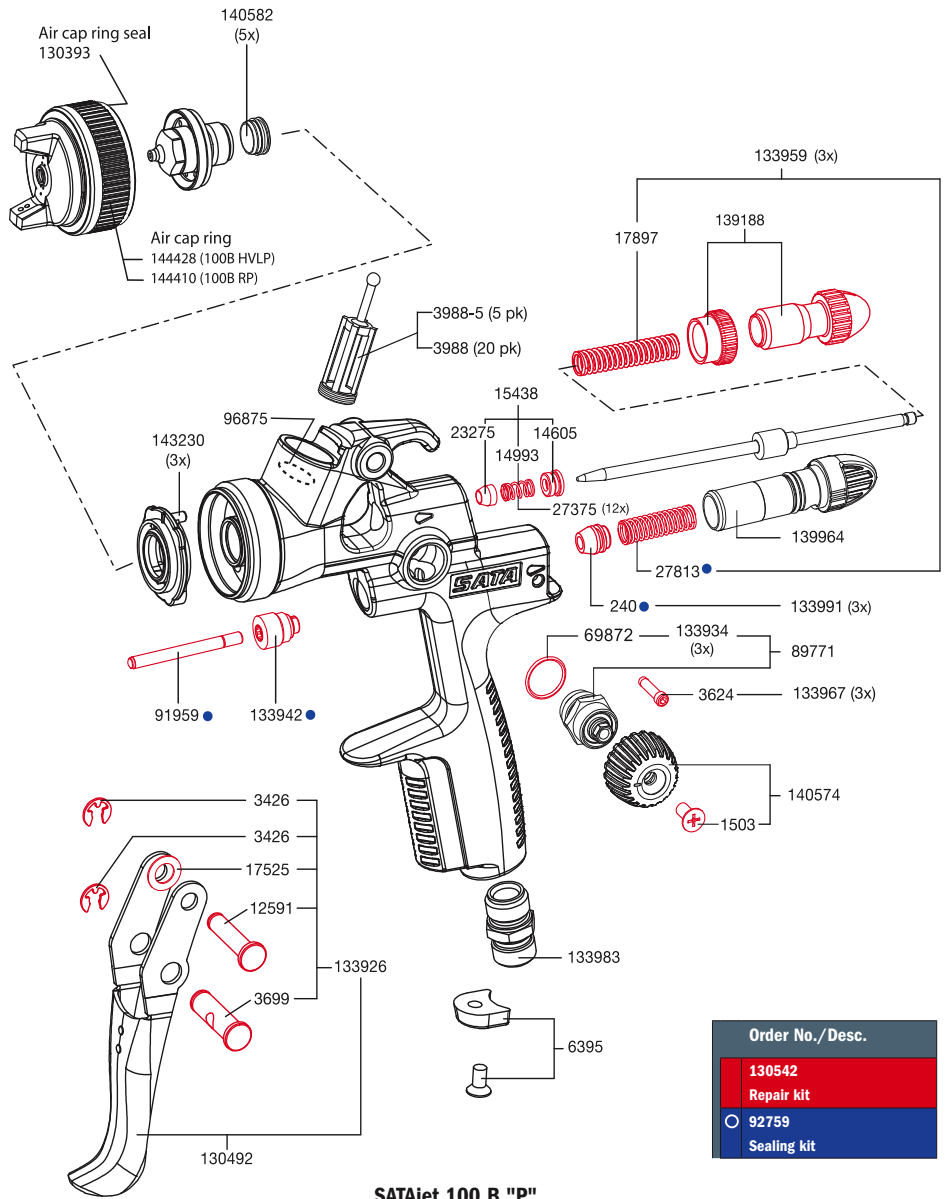


Spare Parts SATAjet® 100 B

Order No./Desc.

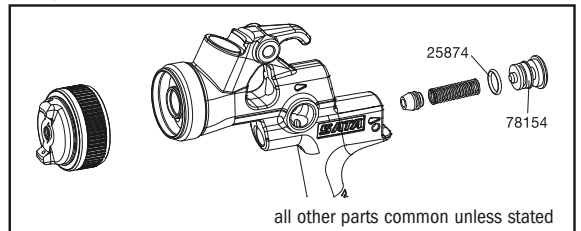
240	Packing, air piston
901	Wrench, universal spanner
1503	Screw, fan control
1826	Non-drip device (4 pk)
3426	Circlip, pin
3509	Brush, large standard
3624	Pin, air micrometer
3699	Pin, lower trigger
3988	Sieve, pk of 20
3988-5	Sieve, pk of 5
6007	Brush, nozzle cleaning, pk of 10
6395	Disc, CC (standard), pk of 4
6585	Insert, aluminum cup
9050	Tool kit
9647	Allen wrench, 4mm
12591	Pin, upper trigger
14605	Bushing, needle packing
14993	Spring, needle packing
15438	Kit, needle packing
17525	Washer, tension spring
17897	Spring, paint needle
23275	Packing, needle
27243	Cup, 0.6L QCC plastic
27375	Spring, needle packing, (12 pk) of #14993
27813	Spring, air piston
43638	Puller, wire air ring
49395	Lid, 0.6L plastic
49437	Cup Lid Drip Ring, 0.6L, (5 pk)
69872	O Ring, fan control
71555	Lid, plastic, (3 pk)
89771	Control spindle, flat/round, w/"O"ring
82826	Kit, air piston service
91959	Piston, air rod
96644	Nipple, QCC aluminum cup
96685	Cup, 1L QCC aluminum
96693	Ring, QCC marking
96719	Adapter, QCC to PPS cup
96875	Seal, inner cup
130393	Seal, air cap ring
130492	Kit, trigger service complete
130542	Repair kit, SATAjet 100 B series
133884	Kit, battery, cover w/gasket
133926	Kit, trigger sleeve
133934	O ring, fan control, (3 pk)
133942	Bushing, air piston
133959	Kit, spring, (3 ea. of #27813 & #17897)



Order No./Desc.

133967	Pin, air micrometer, (3 pk)
133983	Fitting, standard 1/4" air inlet
133991	Packing, air piston, (3 pk)
139188	Kit, fluid control and lock nut
139964	Air micrometer, HVLP & RP only
140574	Knob, fan control w/ screw
140582	Fluid tip seal (5 pk)
143230	Air distribution ring (3 pk)
144410	Air cap ring with seal (RP)
144428	Air cap ring with seal (HVLP)
Only with SATAjet 100 B "P" version:	
25874	O ring 9 x 1.5
78154	Closing cap w O ring seal

SATAjet 100 B "P"



all other parts common unless stated

9050 Tool Kit

901	Universal spanner wrench
3509	Cleaning brush
9647	Allen/Torx wrench
64543	Allen wrench
43638	Extraction tool



Technical modifications and printing errors reserved